

The EM32-4-LED is a 4 digit LED data display which is designed to be panel mounted in most low and medium volume applications. The display features 8mm digit height, 3 decimal points and a very low current consumption. This product is designed so no soldering is required. Connection is via 2 rows of square posts for the main functions and the optional external LEDs. The module features a round metal bezel, requiring a 32.5mm (1.28") diameter cut-out. It is secured with the nut provided. Protection from the front to IP 67 / NEMA 4X standards is achieved by placing the rubber seal between the module and panel during assembly.

FEATURES

- 8mm (0.31") Digit Height
- 20mA @ 5Vd.c. Operation
- Programmable Decimal Points
- Drives up to 4 External LEDs
- Connection via 2 Rows of Posts
- Round Metal Bezel
- Requires 32.5mm (1.28") Diameter Cut-out
- IP67 / NEMA 4X Protected



TYPICAL APPLICATIONS

- Panel Mount Instrumentation
- Process & Control
- Automotive

ORDERING INFORMATION

Standard Display

Stock Number
EM32-4-LED

ELECTRICAL SPECIFICATIONS

Specification	Min.	Typ.	Max.	Unit
Supply voltage	4	5	9	V d.c.
Supply current		20*		mA
Operating temperature range	-10		60	°C
Storage temperature range	-10		60	°C
V _{LED}		3		V d.c.
Clock input frequency		500		kHz

Unless otherwise noted, specifications apply at $T_A = 25^\circ\text{C}$, $V_{\text{supply}} = 5\text{Vd.c.}$

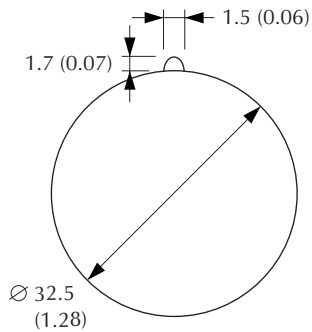
Supply current depends on supply voltage, brightness setting and number of LEDs illuminated.

SAFETY

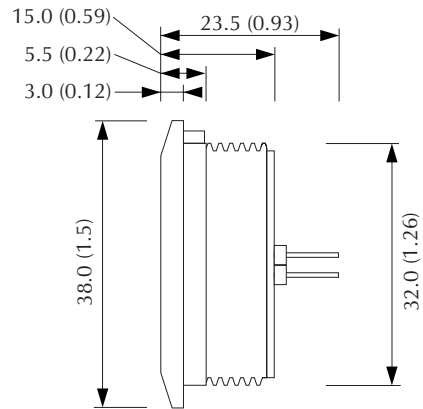
To comply with the Low Voltage Directive (LVD 93/68/EEC), input voltages to the module's pins must not exceed 60Vdc. The user must ensure that the incorporation of the panel meter into the user's equipment conforms to the relevant sections of BS EN 61010 (Safety Requirements for Electrical Equipment for Measuring, Control and Laboratory Use).

DIMENSIONS

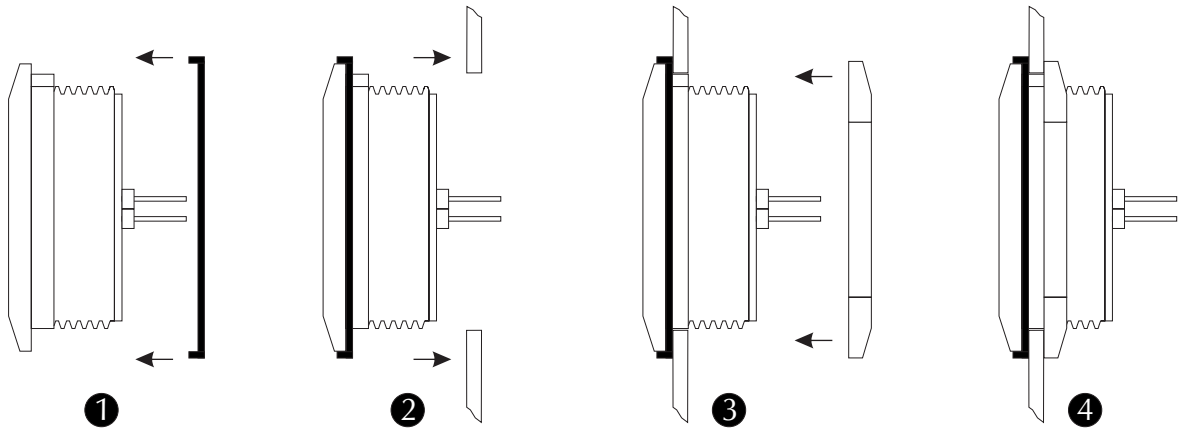
All dimensions in mm (inches)



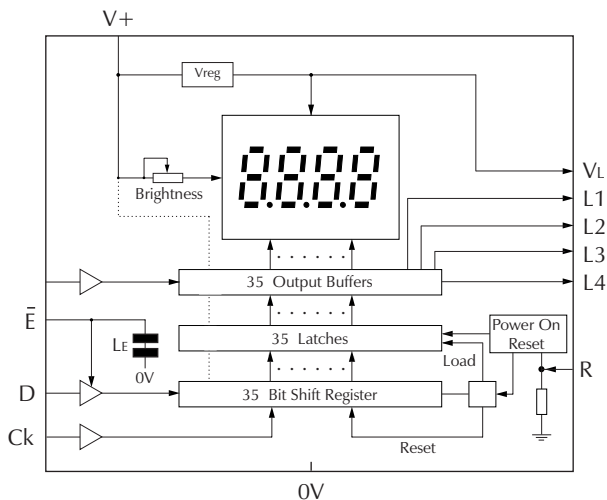
Panel cut-out



PANEL MOUNTING



FUNCTIONAL BLOCK DIAGRAM



CONNECTIONS (rear view)

